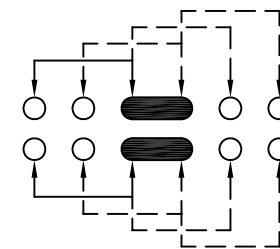
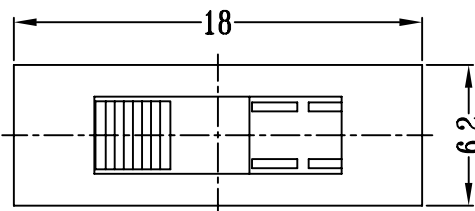
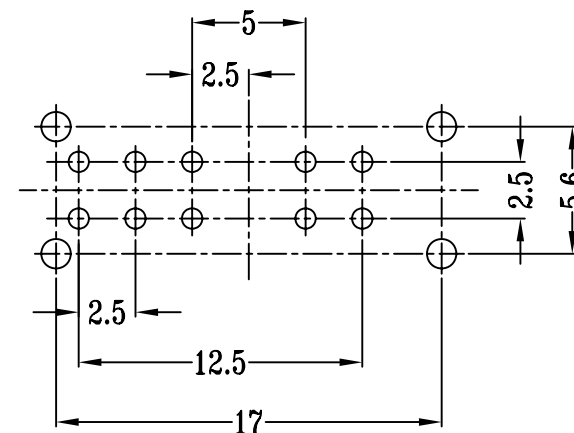
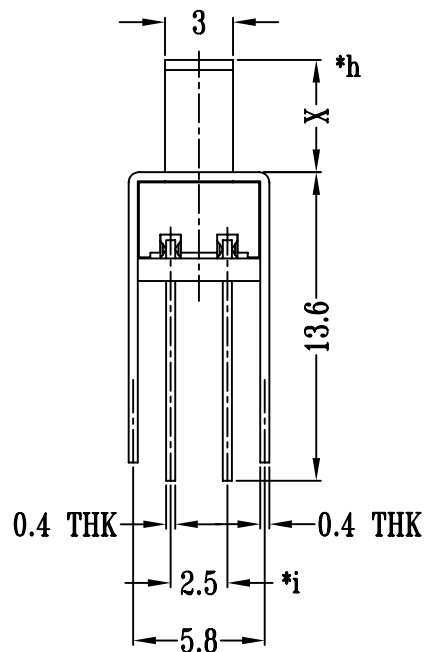
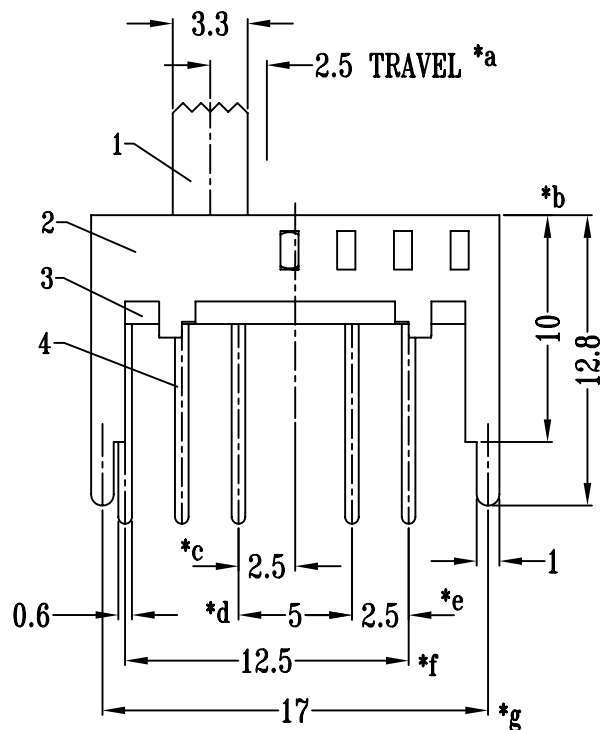


CAD FILE:



SCHEMATIC (SHORTING)



P.C.B LAYOUT

注:带**表示关键尺寸(9个)

8					TOLERANCE UNLESS SPECIFIED	SHENZHEN XIEJIA ELECTRONICS CO.,LTD.				
7	STEEL BALL	STEEL	1	NATURAL	WITHIN: 1.5±0.1mm OVER : 1.5±0.2mm	ISSUE	DATE	DESCRIPTIONS		APPD.
6	SPRING	STEEL WIRE	1	TEMPER		TITLE : VERTICAL SLIDE SWITCH	UNIT : MM	DRWG NO.: XJ-DR-SS24E03-00		
5	CONTACT CLIP	PBS STRIP	2	Ag PLATED	MODEL: SS-24E03	SCALE: 3:1	DWN.	ZHOUYU	2003-9-25	
4	TERMINAL	BRASS STRIP	8	Ag PLATED OVER Ni PLATED	ALL MATERIALS MUST BE COMPLIANT TO ROHS	APPD.	CHK'D	FANGYING	2003-9-25	
3	BASE	PHENOLIC RESIN	1	NATURAL			KANGXINAN	2003-9-25		
2	FRAME	STEEL STRIP	1	Ni PLATED						
1	KNOB	POM	1	BLACK						
NO.	PART NAME	MATERIAL	Q'TY	FINISHING						